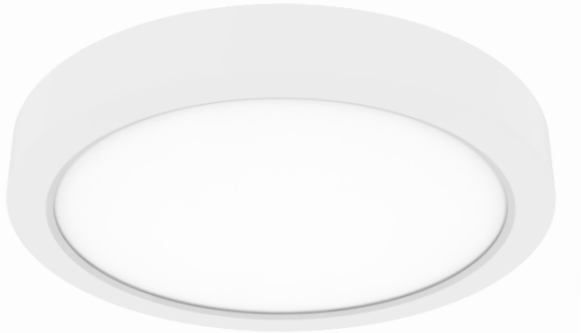


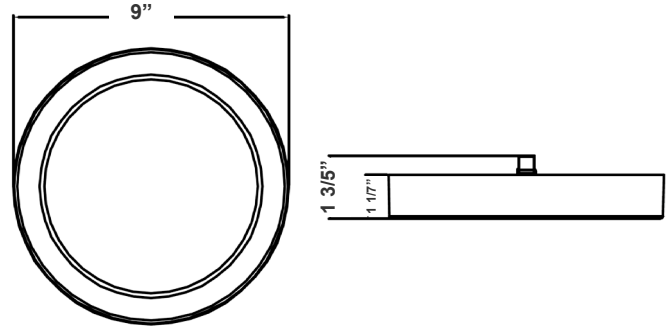
FMLS SERIES Residential Lighting

FMLS-R9-MCT5-DT
9" SNAP FLUSH-MOUNT DISK 5CCT
MCT Multi Color Temperature (Selectable)



Flush Mount lighting can use in most rooms of the house, especially those where you want ambient, general light. It's especially useful for hallways, kitchens, family rooms, bathrooms, closets, and bedrooms. Also Ideal for closets, storage areas, attics, corridors, or general lighting solutions for residential and commercial applications.

Customer Name: _____
Project Name: _____
Note: _____ | Type: _____



9" x 1 3/5"

Features

- Unique DOB (Driver On Board) LED Board Enclosed in Clear PC Cover for Better Performance
- Multi CCT (Selectable Switch on LED Board Under the Lens)
- Die-cast Aluminum. Powder-Coated
- 5-Year Warranty
- 1" Deep

Technical Specifications

Electrical:

- Voltage: 120V AC
- Power Factor: >0.90
- THD: <20%
- Wattage: 20W
- Efficacy: 65 LPW

Mechanical:

- White Finish
- Stainless Steel Test Button with Integrated Indicator Light
- Die-cast Aluminum. Powder-Coated
- Maximum Ambient Temperature: 32°F to 104°F
- 5-Year Warranty
- Wet Location

Lighting:

- Multi CCT (Selectable Switch on Driver)
- LED: Edge Lit LED Technology
- Dimming: TRIAC Dimming (Using Standard TRIAC LED Dimmers)
- 4W, 60V, 2500mAh Li-ion Battery for Minimum 90 Total Lumens: Min. 1300LM ~ Max. 1663LM
- Color Temperatures: 2700/3000/3500/4000/5000K
- Color Rendering Index: CRI ≥ 90
- Beam angle: 120°
- Rated life: 50,000 hrs

Applications:

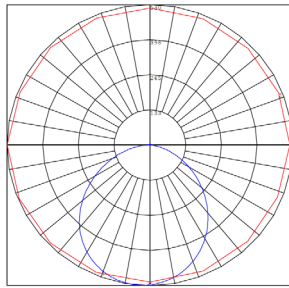
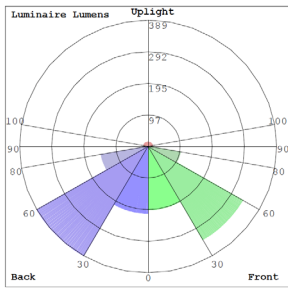
- Flush Mount lighting can use in most rooms of the house, especially those where you want ambient, general light. It's especially useful for hallways, kitchens, family rooms, bathrooms, closets, and bedrooms. Also Ideal for closets, storage areas, attics, corridors, or general lighting solutions for residential and commercial applications

Other Models:

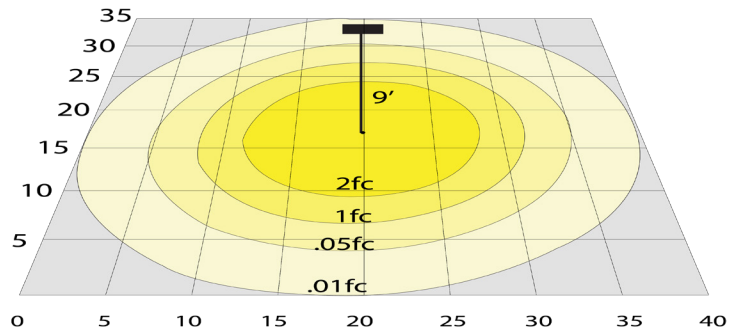
- 11W | 680LM | FMLS-R5-MCT5-DT • 14W | 900LM | FMLS-R7-MCT5-DT • 25W | 1650LM | FMLS-R11-MCT5-DT



Photometrics: FMLS-R9-MCT5-DT

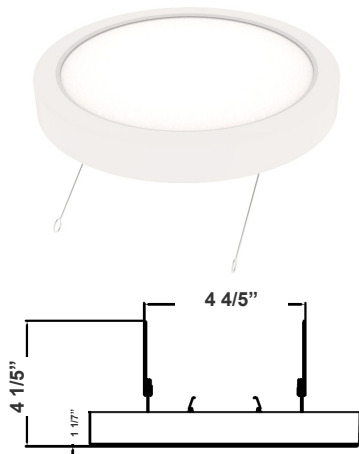


BUG Rating: B1-U2-G1



Simulation Based on 4000K Area 35'x 40' Mounting Height: 9'

Other Views:



Side View



Front View



Back View

Performance Table: FMLS-R9-MCT5-DT

MODEL NO.	Wattage	Voltage	Lumens	Color Temp.	BUG Rating	LPW
FMLS-R9-MCT5-DT	20W	120V	Min. 1300LM ~ Max. 1663LM	2700K 3000K 3500K 4000K 5000K	B1-U2-G1	65

Sample Ordering

Model	Size	Color Temp.	Dimming
FMLS	R9	MCT5	DT

DT = TRIAC Dimming

